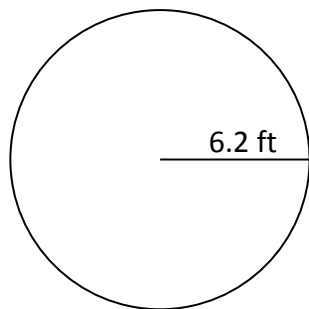


Applied Math 40S

Design and Measurement Practice Assignment 1

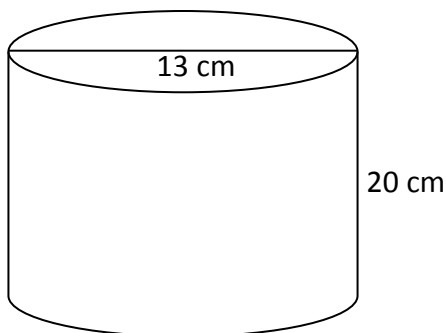
Make sure to round all answers to **two decimal places**, unless otherwise indicated. Check your answers as you progress through this assignment. Pay special attention to the UNITS on your final answers.

1. Find the circumference of the following circle:

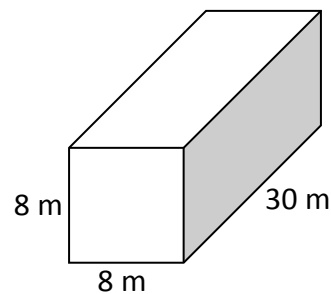


2. Find the **surface area** AND the **volume** of each of the following shapes:

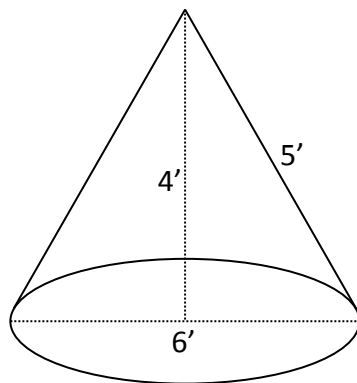
a)



b)



c)



d)

