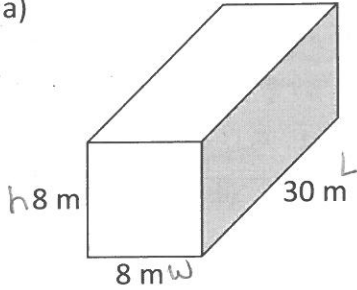


## Assignment 5: Measuring 3D Shapes: Surface Area and Volume

1. Calculate the surface area AND volume of each of the following shapes:

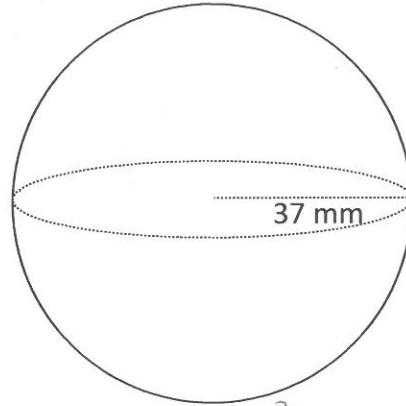
a)



$$SA = 2Lw + 2Lh + 2wh$$

$$V = L \times w \times h$$

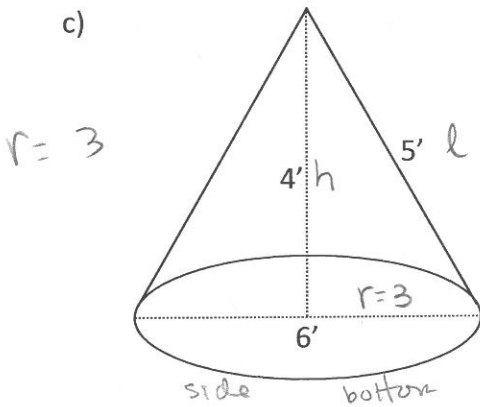
b)



$$SA = 4\pi r^2$$

$$Volume = \frac{4}{3}\pi r^3$$

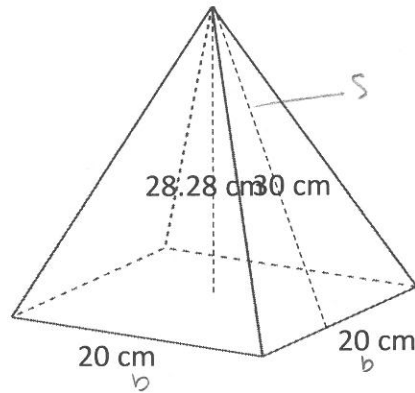
c)



$$SA = \pi r l + \pi r^2$$

$$Volume = \frac{1}{3}\pi r^2 h$$

d)



$$SA = b^2 + 2bs$$

$$V = \frac{1}{3}b^2 h$$